

GP Batteries

Data Sheet

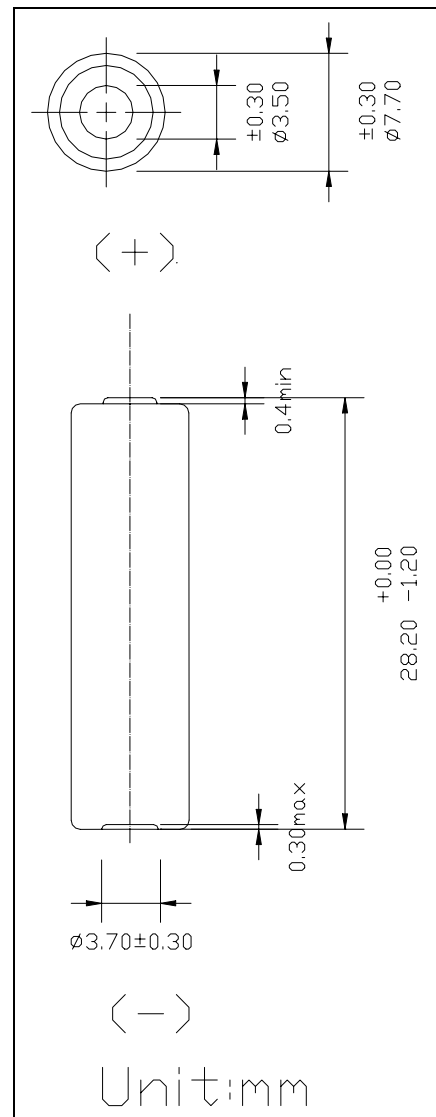
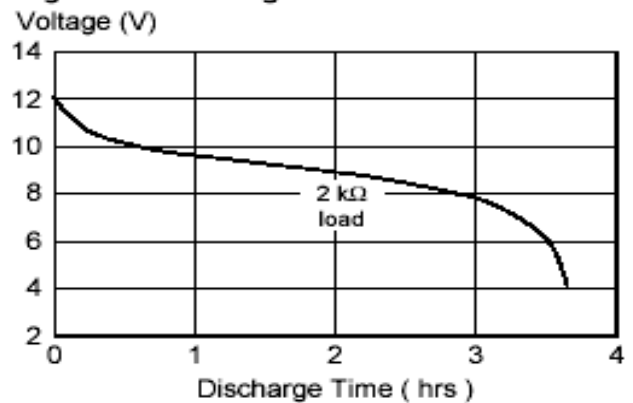
Model No.: GP27A

Description	: Alkaline High Voltage Battery
Nominal Voltage	: 12Volts
Nominal Dimensions	: Ø7.7mm×28.0mm
Terminal	: Nickel plated flat contacts - protruded red(+); recessed black (-)
Jacket	: Metal jacket
Internal Connection	: Pressure
Applications	: Remote controller
Average Weight	: 4.4g
Date Code	: Unless otherwise specified, each batteries will carry a numeric year code and analogue month code
Shelf Life	: Not less than 90% of the service capacity within first year. , not less than 85% of the service capacity with third year storage at 22 ± 3 °C 40-80 %RH.
Insulation Resistance	: 5MΩ min.
Close Circuit Voltage	: 10.5Volts (min.)(load resistor 1.6kΩ at 22 ± 3 °C for 0.1 to 2 seconds)
Current Drain	Under 5mA pulse, 0.5mA continuous
Nominal Service Life	: 38hrs (at 20kΩ load) (to 6.0V at 22 ± 3 °C)
Average Service Capacity	: 20mAh(at 20kΩ load) (to 6.0V at 22 ± 3 °C)

Cross References:

GP	Eveready	Duracell	Varta
27A	---	---	---

High Rate Discharge



Normal Rate Discharge

